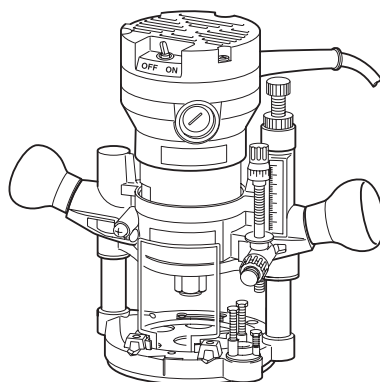


INSTRUCTION MANUAL
MANUEL D'INSTRUCTION
MANUAL DE INSTRUCCIONES



Router Défonceuse Rebajadora

RP1100
RP1101



IMPORTANT: Read Before Using.

IMPORTANT : Lire avant usage.

IMPORTANTE: Lea antes de usar.

SPECIFICATIONS

Model	RP1100	RP1101
Collet chuck capacity	1/2" and 1/4"	
No load speed (RPM)	24,000 /min	8,000 - 24,000 /min
Overall length	291 mm (11-1/2")	
Net weight	4.2 kg (9.3 lbs)	

- Due to our continuing program of research and development, the specifications herein are subject to change without notice.
- Specifications may differ from country to country.
- Weight according to EPTA-Procedure 01/2003

General Power Tool Safety Warnings

⚠WARNING Read all safety warnings and all instructions. Failure to follow the warnings and instructions may result in electric shock, fire and/or serious injury.

Save all warnings and instructions for future reference.

The term "power tool" in the warnings refers to your mains-operated (corded) power tool or battery-operated (cordless) power tool.

Work area safety

1. **Keep work area clean and well lit.** Cluttered or dark areas invite accidents.
2. **Do not operate power tools in explosive atmospheres, such as in the presence of flammable liquids, gases or dust.** Power tools create sparks which may ignite the dust or fumes.
3. **Keep children and bystanders away while operating a power tool.** Distractions can cause you to lose control.

Electrical safety

4. **Power tool plugs must match the outlet. Never modify the plug in any way. Do not use any adapter plugs with earthed (grounded) power tools.** Unmodified plugs and matching outlets will reduce risk of electric shock.
5. **Avoid body contact with earthed or grounded surfaces such as pipes, radiators, ranges and refrigerators.** There is an increased risk of electric shock if your body is earthed or grounded.
6. **Do not expose power tools to rain or wet conditions.** Water entering a power tool will increase the risk of electric shock.
7. **Do not abuse the cord. Never use the cord for carrying, pulling or unplugging the power tool. Keep cord away from heat, oil, sharp edges or moving parts.** Damaged or entangled cords increase the risk of electric shock.
8. **When operating a power tool outdoors, use an extension cord suitable for outdoor use.** Use of a cord suitable for outdoor use reduces the risk of electric shock.
9. **If operating a power tool in a damp location is unavoidable, use a ground fault circuit interrupter (GFCI) protected supply.** Use of an GFCI reduces the risk of electric shock.

Personal safety

10. **Stay alert, watch what you are doing and use common sense when operating a power tool. Do not use a power tool while you are tired or under the influence of drugs, alcohol or medication.** A moment of inattention while operating power tools may result in serious personal injury.
11. **Use personal protective equipment. Always wear eye protection.** Protective equipment such as dust mask, non-skid safety shoes, hard hat, or hearing protection used for appropriate conditions will reduce personal injuries.
12. **Prevent unintentional starting. Ensure the switch is in the off-position before connecting to power source and/or battery pack, picking up or carrying the tool.** Carrying power tools with your finger on the switch or energising power tools that have the switch on invites accidents.
13. **Remove any adjusting key or wrench before turning the power tool on.** A wrench or a key left attached to a rotating part of the power tool may result in personal injury.
14. **Do not overreach. Keep proper footing and balance at all times.** This enables better control of the power tool in unexpected situations.
15. **Dress properly. Do not wear loose clothing or jewellery. Keep your hair, clothing, and gloves away from moving parts.** Loose clothes, jewellery or long hair can be caught in moving parts.
16. **If devices are provided for the connection of dust extraction and collection facilities, ensure these are connected and properly used.** Use of dust collection can reduce dust-related hazards.

Power tool use and care

17. **Do not force the power tool. Use the correct power tool for your application.** The correct power tool will do the job better and safer at the rate for which it was designed.
18. **Do not use the power tool if the switch does not turn it on and off.** Any power tool that cannot be controlled with the switch is dangerous and must be repaired.
19. **Disconnect the plug from the power source and/or the battery pack from the power tool before making any adjustments, changing accessories, or storing power tools.** Such preventive safety measures reduce the risk of starting the power tool accidentally.

20. **Store idle power tools out of the reach of children and do not allow persons unfamiliar with the power tool or these instructions to operate the power tool.** Power tools are dangerous in the hands of untrained users.
21. **Maintain power tools. Check for misalignment or binding of moving parts, breakage of parts and any other condition that may affect the power tool's operation. If damaged, have the power tool repaired before use.** Many accidents are caused by poorly maintained power tools.
22. **Keep cutting tools sharp and clean.** Properly maintained cutting tools with sharp cutting edges are less likely to bind and are easier to control.
23. **Use the power tool, accessories and tool bits etc. in accordance with these instructions, taking into account the working conditions and the work to be performed.** Use of the power tool for operations different from those intended could result in a hazardous situation.

Service

24. **Have your power tool serviced by a qualified repair person using only identical replacement parts.** This will ensure that the safety of the power tool is maintained.
25. **Follow instruction for lubricating and changing accessories.**
26. **Keep handles dry, clean and free from oil and grease.**

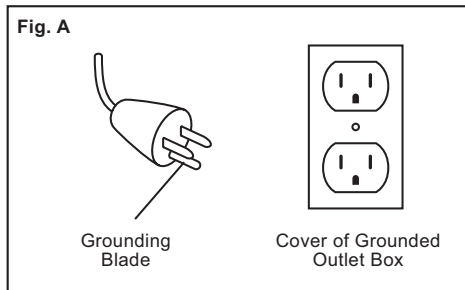
USE PROPER EXTENSION CORD. Use only three-wire extension cords that have three-prong grounding-type plugs and three-pole receptacles that accept the tool's plug. Make sure your extension cord is in good condition. Replace or repair damaged or worn cord immediately. When using an extension cord, be sure to use one heavy enough to carry the current your product will draw. An undersized cord will cause a drop in line voltage resulting in loss of power and overheating. Table 1 shows the correct size to use depending on cord length and nameplate ampere rating. If in doubt, use the next heavier gage. The smaller the gage number, the heavier the cord.

Table 1: Minimum gage for cord

Ampere Rating		Volts	Total length of cord in feet			
		120V	25 ft.	50 ft.	100 ft.	150 ft.
More Than	Not More Than	AWG				
0	6		18	16	16	14
6	10		18	16	14	12
10	12		16	16	14	12
12	16		14	12	Not Recommended	

GROUNDING INSTRUCTIONS:

This tool should be grounded while in use to protect the operator from electric shock. The tool is equipped with a three-conductor cord and three-prong grounding type plug to fit the proper grounding type receptacle. The green (or green and yellow) conductor in the cord is the grounding wire. Never connect the green (or green and yellow) wire to a live terminal. Your unit is for use on 120 volts and has a plug that looks like Fig. "A".



ROUTER SAFETY WARNINGS

1. **Hold power tool by insulated gripping surfaces, because the cutter may contact its own cord.** Cutting a "live" wire may make exposed metal parts of the power tool "live" and shock the operator.
2. **Use clamps or another practical way to secure and support the workpiece to a stable platform.** Holding the work by your hand or against the body leaves it unstable and may lead to loss of control.
3. **Wear hearing protection during extended period of operation.**
4. **Handle the bits very carefully.**
5. **Check the bit carefully for cracks or damage before operation. Replace cracked or damaged bit immediately.**
6. **Avoid cutting nails. Inspect for and remove all nails from the workpiece before operation.**
7. **Hold the tool firmly with both hands.**
8. **Keep hands away from rotating parts.**
9. **Make sure the bit is not contacting the workpiece before the switch is turned on.**
10. **Before using the tool on an actual workpiece, let it run for a while. Watch for vibration or wobbling that could indicate improperly installed bit.**


11. Be careful of the bit rotating direction and the feed direction.
12. Do not leave the tool running. Operate the tool only when hand-held.
13. Always switch off and wait for the bit to come to a complete stop before removing the tool from workpiece.
14. Do not touch the bit immediately after operation; it may be extremely hot and could burn your skin.
15. Do not smear the tool base carelessly with thinner, gasoline, oil or the like. They may cause cracks in the tool base.
16. Use bits of the correct shank diameter suitable for the speed of the tool.
17. Some material contains chemicals which may be toxic. Take caution to prevent dust inhalation and skin contact. Follow material supplier safety data.
18. Always use the correct dust mask/respirator for the material and application you are working with.

SAVE THESE INSTRUCTIONS.

⚠WARNING: DO NOT let comfort or familiarity with product (gained from repeated use) replace strict adherence to safety rules for the subject product. **MISUSE** or failure to follow the safety rules stated in this instruction manual may cause serious personal injury.

Symbols

The followings show the symbols used for tool.

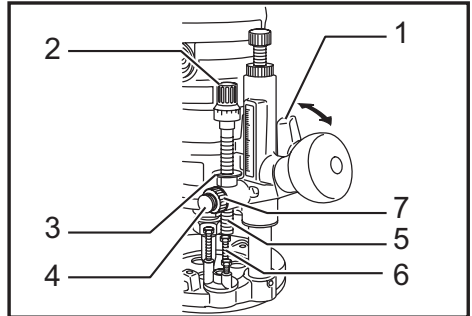
V	volts
A	amperes
Hz	hertz
	alternating current
n_0	no load speed
... /min	revolutions or reciprocation per minute
r/min	

FUNCTIONAL DESCRIPTION

⚠CAUTION:

- Always be sure that the tool is switched off and unplugged before adjusting or checking function on the tool.

Adjusting the depth of cut

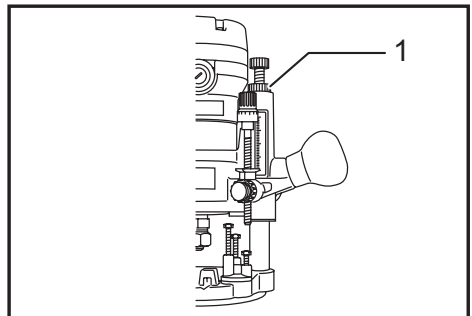


- 1. Lock lever 2. Adjusting knob 3. Depth pointer
4. Fast-feed button 5. Stopper pole 6. Fast-feed button 7. Stopper pole setting nut

Place the tool on a flat surface. Press the lock lever down and lower the tool body until the bit just touches the flat surface. Release the lock lever to hold the tool body down.

Turn the stopper pole setting nut counterclockwise to loosen. While pressing the fast-feed button, lower the stopper pole until it makes contact with the adjusting hex bolt. Align the depth pointer with the "0" graduation. The depth of cut is indicated on the scale by the depth pointer. While pressing the fast-feed button, raise the stopper pole until the desired depth of cut is obtained. Minute depth adjustments can be obtained by turning the adjusting knob (1.6 mm (1/16") per turn). After adjusting the depth of cut, turn the stopper pole setting nut clockwise to fasten the stopper pole firmly. Now, your predetermined depth of cut can be obtained by pressing the lock lever and then lowering the tool body until the stopper pole makes contact with the adjusting hex bolt of the stopper block.

Nylon nut



- 1. Nylon nut

CAUTION:

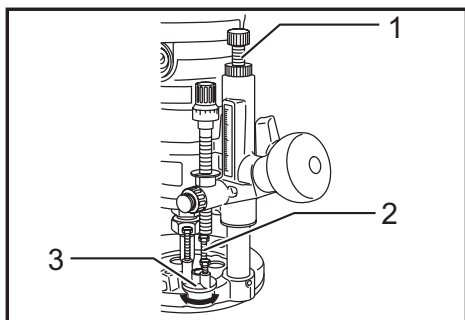
- Do not lower the nylon nut too low or the bit will protrude dangerously.

By turning the nylon nut, the upper limit of the tool body can be adjusted. When the tip of the bit is retracted more than required in relation to the base plate surface, turn the nylon nut to lower the upper limit.

CAUTION:

- Since excessive cutting may cause overload of the motor or difficulty in controlling the tool, the depth of cut should not be more than 15 mm (9/16") at a pass when cutting grooves with an 8 mm (5/16") diameter bit.
- When cutting grooves with a 20 mm (13/16") diameter bit, the depth of cut should not be more than 5 mm (3/16") at a pass.
- For extra-deep grooving operations, make two or three passes with progressively deeper bit settings.

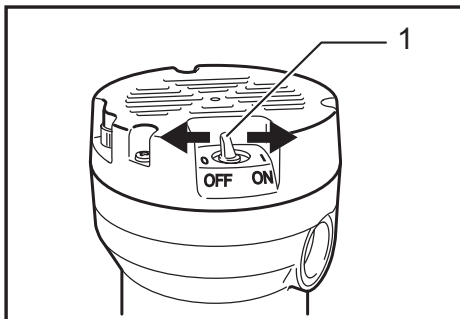
Stopper block



- 1. Stopper pole 2. Adjusting hex bolt 3. Stopper block

The stopper block has three adjusting hex bolts which raise or lower 0.8 mm (1/32") per turn. You can easily obtain three different depths of cut using these adjusting hex bolts without readjusting the stopper pole. Adjust the lowest hex bolt to obtain the deepest depth of cut, following the method of "Adjusting depth of cut". Adjust the two remaining hex bolts to obtain shallower depths of cut. The differences in height of these hex bolts are equal to the differences in depths of cut. To adjust the hex bolt height, turn the hex bolts with a screw driver or wrench. The stopper block is also convenient for making three passes with progressively deeper bit settings when cutting deep grooves.

Switch action



- 1. Switch lever

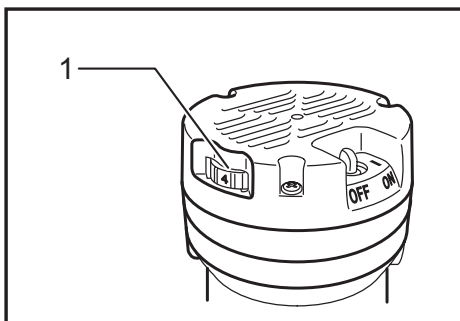
CAUTION:

- Before plugging in the tool, always check to see that the tool is switched off.
- Switch can be locked in "ON" position for ease of operator comfort during extended use. Apply caution when locking tool in "ON" position and maintain firm grasp on tool.

To start the tool, move the switch lever to the I (ON) position. To stop the tool, move the switch lever to the O (OFF) position.

Speed adjusting dial

For model RP1101 only



- 1. Speed adjusting dial

The tool speed can be changed by turning the speed adjusting dial to a given number setting from 1 to 6. Higher speed is obtained when the dial is turned in the direction of number 6. And lower speed is obtained when it is turned in the direction of number 1. This allows the ideal speed to be selected for optimum material processing, i.e. the speed can be correctly adjusted to suit the material and bit diameter. Refer to the table for the relationship between the number settings on the dial and the approximate tool speed.

Number	RPM
1	8,000
2	10,000
3	14,000
4	18,000
5	22,000
6	24,000

⚠ CAUTION:

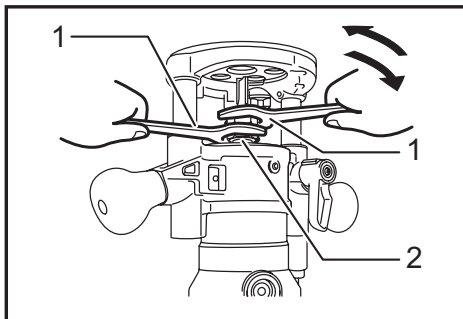
- If the tool is operated continuously at low speeds for a long time, the motor will get overloaded, resulting in tool malfunction.
- The speed adjusting dial can be turned only as far as 6 and back to 1. Do not force it past 6 or 1, or the speed adjusting function may no longer work.

ASSEMBLY

⚠ CAUTION:

- Always be sure that the tool is switched off and unplugged before carrying out any work on the tool.

Installing or removing the bit



- 1. Wrench 2. Collet chuck

⚠ CAUTION:

- Use always a collet which is suitable for the shank diameter of the bit.
- Do not tighten the collet chuck without inserting a bit, or the collet chuck will break.
- When using bit of bigger than 1-1/4" in diameter, install base plate with center hole diameter 2-1/2", replacing the original base plate.

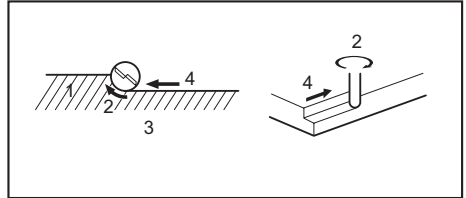
Insert the bit all the way into the collet chuck and withdraw it very slightly (approx. 2mm; 1/16"). Then tighten the collet chuck securely with the two wrenches.

These routers accommodate the bits with 1/2" diameter shank. When using the 1/4" diameter shank bit, replace the equipped collet chuck with the one for 1/4" diameter shank bit which is provided as the standard accessory. To remove the bit, follow the installation procedure in reverse.

OPERATION

Set the tool base on the workpiece to be cut without the bit making any contact. Then turn the tool on and wait until the bit attains full speed. Lower the tool body with pressing the lock lever down. Release the lock lever at the lowest position and push it further to lock the tool body securely. Move the tool forward over the workpiece surface, keeping the tool base flush and advancing smoothly until the cutting is complete.

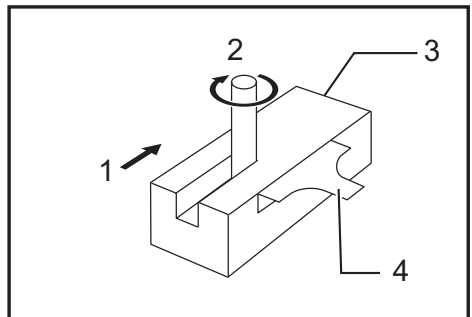
When doing edge cutting, the workpiece surface should be on the left side of the bit in the feed direction.



- 1. Workpiece 2. Bit revolving direction 3. View from the top of the tool 4. Feed direction

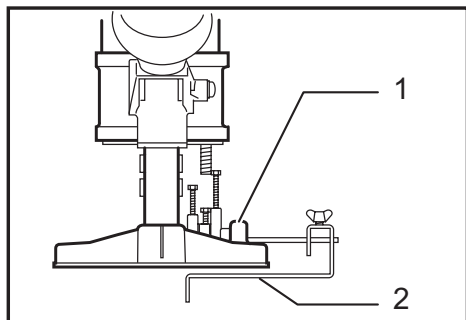
NOTE:

- Make sure that the tool raises automatically when the lock lever is loosened. The position of the bit must be higher than the tool base when not operating.
- Moving the tool forward too fast may cause a poor quality of cut, or damage to the bit or motor. Moving the tool forward too slowly may burn and mar the cut. The proper feed rate will depend on the bit size, the kind of workpiece and depth of cut. Before beginning the cut on the actual workpiece, it is advisable to make a sample cut on a piece of scrap lumber. This will show exactly how the cut will look as well as enable you to check dimensions.
- When using the straight guide, be sure to install it on the right side in the feed direction. This will help to keep it flush with the side of the workpiece.



- 1. Feed direction 2. Bit revolving direction
3. Workpiece 4. Straight guide

Straight guide (optional accessory)

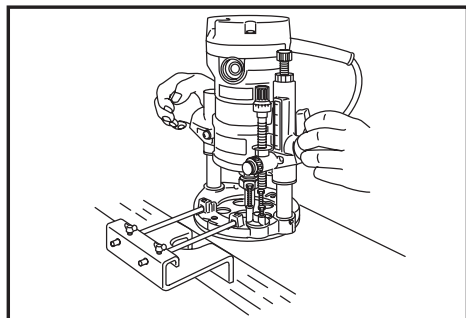


► 1. Hex socket bolts 2. Straight guide

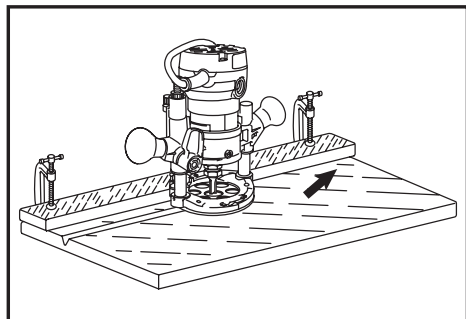
The straight guide is effectively used for straight cuts when chamfering or grooving.

To install the straight guide, insert the guide bars into the holes in the tool base. Adjust the distance between the bit and the straight guide. At the desired distance, tighten the hex socket bolts to secure the straight guide in place.

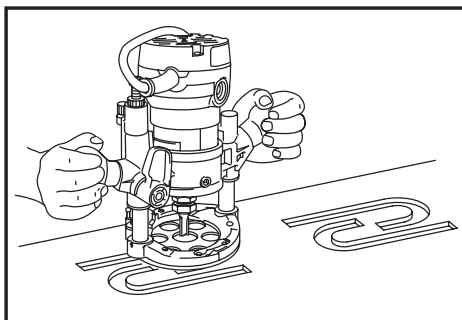
When cutting, move the tool with the straight guide flush with the side of the workpiece.



If the distance between the side of the workpiece and the cutting position is too wide for the straight guide, or if the side of the workpiece is not straight, the straight guide cannot be used. In this case, firmly clamp a straight board to the workpiece and use it as a guide against the base. Feed the tool in the direction of the arrow.

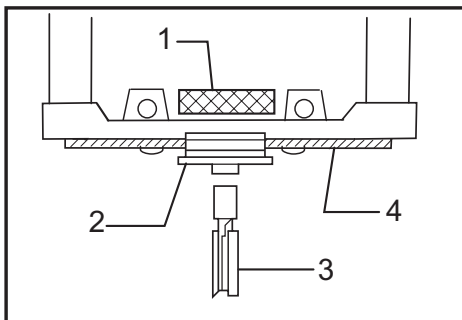


Templet guide (optional accessory)



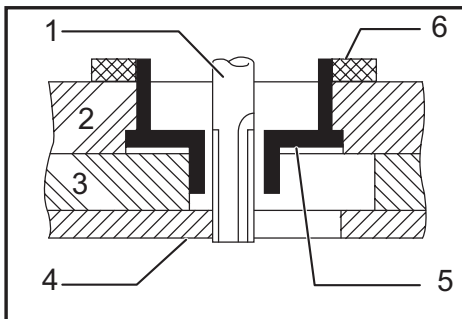
The templet guide provides a sleeve through which the bit passes, allowing use of the tool with templet patterns.

To install the templet guide, insert the templet guide in center hole in the base plate and secure in place with the lock nut.



► 1. Lock nut 2. Templet guide 3. Router bit 4. Base plate

Secure the templet to the workpiece. Place the tool on the templet and move the tool with the templet guide sliding along the side of the templet.



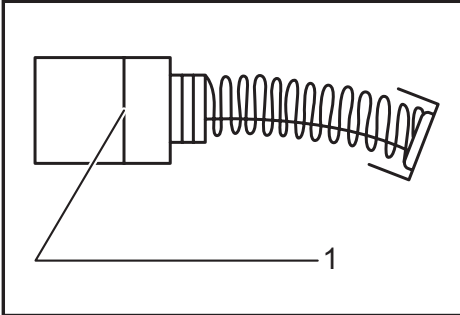
► 1. Router bit 2. Base 3. Templet 4. Workpiece 5. Templet guide 6. Lock nut

MAINTENANCE

⚠ CAUTION:

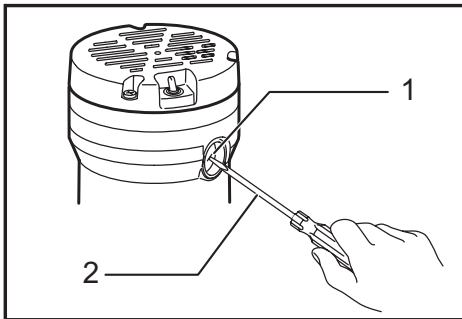
- Always be sure that the tool is switched off and unplugged before attempting to perform inspection or maintenance.
- Never use gasoline, benzene, thinner, alcohol or the like. Discoloration, deformation or cracks may result.

Replacing carbon brushes



- 1. Limit mark

Remove and check the carbon brushes regularly. Replace when they wear down to the limit mark. Keep the carbon brushes clean and free to slip in the holders. Both carbon brushes should be replaced at the same time. Use only identical carbon brushes. Use a screwdriver to remove the brush holder caps. Take out the worn carbon brushes, insert the new ones and secure the brush holder caps.



- 1. Brush holder cap 2. Screwdriver

To maintain product SAFETY and RELIABILITY, repairs, any other maintenance or adjustment should be performed by Makita Authorized or Factory Service Centers, always using Makita replacement parts.

OPTIONAL ACCESSORIES

⚠ CAUTION:

- These accessories or attachments are recommended for use with your Makita tool specified in this manual. The use of any other accessories or attachments might present a risk of injury to persons. Only use accessory or attachment for its stated purpose.

If you need any assistance for more details regarding these accessories, ask your local Makita Service Center.

- Straight & groove forming bits
- Edge forming bits
- Laminate trimming bits
- Straight guide
- Templet guides
- Lock nut
- Clear base plate (Center hole 2-1/2")
- Wrench 27
- Dust nozzle

NOTE:

- Some items in the list may be included in the tool package as standard accessories. They may differ from country to country.

MAKITA LIMITED WARRANTY

Please refer to the annexed warranty sheet for the most current warranty terms applicable to this product. If annexed warranty sheet is not available, refer to the warranty details set forth at below website for your respective country.

United States of America: www.makitatools.com

Canada: www.makita.ca

Other countries: www.makita.com

SPECIFICATIONS

Modèle	RP1100	RP1101
Capacité du mandrin à bague	1/2" et 1/4"	
Vitesse à vide (RPM)	24 000 /min	8 000 - 24 000 /min
Longueur totale	291 mm (11-1/2")	
Poids net	4,2 kg (9,3 lbs)	

- Étant donné l'évolution constante de notre programme de recherche et de développement, les spécifications contenues dans ce manuel sont sujettes à modification sans préavis.
- Les spécifications peuvent varier suivant les pays.
- Poids conforme à la procédure EPTA du 01/2003

Consignes de sécurité générales pour outils électriques

⚠ MISE EN GARDE Veuillez lire toutes les mises en garde de sécurité et toutes les instructions. L'ignorance des mises en garde et des instructions comporte un risque de choc électrique, d'incendie et/ou de blessure grave.

Conservez toutes les mises en garde et instructions pour référence future.

Le terme « outil électrique » qui figure dans les avertissements fait référence à un outil électrique branché sur une prise de courant (par un cordon d'alimentation) ou alimenté par batterie (sans fil).

Sécurité de la zone de travail

1. **Maintenez la zone de travail propre et bien éclairée.** Les zones de travail encombrées ou sombres ouvrent grande la porte aux accidents.
2. **N'utilisez pas les outils électriques dans les atmosphères explosives, par exemple en présence de liquides, gaz ou poussières inflammables.** Les outils électriques produisent des étincelles au contact desquelles la poussière ou les vapeurs peuvent s'enflammer.
3. **Assurez-vous qu'aucun enfant ou curieux ne s'approche pendant que vous utilisez un outil électrique.** Vous risquez de perdre la maîtrise de l'outil si votre attention est détournée.

Sécurité en matière d'électricité

4. **Les fiches d'outil électrique sont conçues pour s'adapter parfaitement aux prises de courant. Ne modifiez jamais la fiche de quelque façon que ce soit. N'utilisez aucun adaptateur de fiche sur les outils électriques avec mise à la terre.** En ne modifiant pas les fiches et en les insérant dans des prises de courant pour lesquelles elles ont été conçues vous réduirez les risques de choc électrique.
5. **Évitez tout contact corporel avec les surfaces mises à la terre, telles que les tuyaux, radiateurs, cuisinières et réfrigérateurs.** Le risque de choc électrique est plus élevé si votre corps se trouve mis à la terre.

6. **N'exposez pas les outils électriques à la pluie ou à l'eau.** La présence d'eau dans un outil électrique augmente le risque de choc électrique.
7. **Ne maltraitez pas le cordon. N'utilisez jamais le cordon pour transporter, tirer ou débrancher l'outil électrique. Maintenez le cordon à l'écart des sources de chaleur, de l'huile, des objets à bords tranchants et des pièces en mouvement.** Le risque de choc électrique est plus élevé lorsque les cordons sont endommagés ou enchevêtrés.
8. **Lorsque vous utilisez un outil électrique à l'extérieur, utilisez un cordon prolongateur prévu à cette fin.** Les risques de choc électrique sont moindres lorsqu'un cordon conçu pour l'extérieur est utilisé.
9. **Si vous devez utiliser un outil électrique dans un endroit humide, utilisez une source d'alimentation protégée par un disjoncteur de fuite à la terre.** L'utilisation d'un disjoncteur de fuite à la terre réduit le risque de choc électrique.

Sécurité personnelle

10. **Restez alerte, attentif à vos mouvements et faites preuve de bon sens lorsque vous utilisez un outil électrique. Évitez d'utiliser un outil électrique si vous êtes fatigué ou si vous avez pris une drogue, de l'alcool ou un médicament.** Un moment d'inattention pendant l'utilisation d'un outil électrique peut entraîner une grave blessure.
11. **Portez des dispositifs de protection personnelle. Portez toujours un protecteur pour la vue.** Les risques de blessure seront moins élevés si vous utilisez des dispositifs de protection tels qu'un masque antipoussières, des chaussures à semelle antidérapante, une coiffure résistante ou une protection d'oreilles.
12. **Évitez les démarrages accidentels. Assurez-vous que l'interrupteur est en position d'arrêt avant de brancher l'outil et/ou d'insérer la batterie, ainsi qu'avant de saisir ou de transporter l'outil.** Vous ouvrez la porte aux accidents si vous transportez les outils électriques avec le doigt sur l'interrupteur ou laissez l'interrupteur en position de marche avant de mettre l'outil sous tension.
13. **Retirez toute clé de réglage ou de serrage avant de mettre l'outil sous tension.** Toute clé laissée en place sur une pièce rotative de l'outil électrique peut entraîner une blessure.

14. **Maintenez une bonne position. Assurez-vous d'une bonne prise au sol et d'une bonne position d'équilibre en tout temps.** Cela vous permettra d'avoir une meilleure maîtrise de l'outil dans les situations imprévues.
15. **Portez des vêtements adéquats. Ne portez ni vêtements amples ni bijoux. Vous devez maintenir cheveux, vêtements et gants à l'écart des pièces en mouvement.** Les pièces en mouvement peuvent happer les vêtements amples, les bijoux et les cheveux longs.
16. **Si des accessoires sont fournis pour raccorder un appareil d'aspiration et de collecte de la poussière, assurez-vous qu'ils sont correctement accordés et qu'ils sont utilisés de manière adéquate.** L'utilisation d'un appareil d'aspiration permet de réduire les risques liés à la présence de poussière dans l'air.
21. **Veillez à l'entretien des outils électriques. Assurez-vous que les pièces mobiles ne sont pas désalignées ou coincées, qu'aucune pièce n'est cassée et que l'outil électrique n'a subi aucun dommage affectant son bon fonctionnement. Le cas échéant, faites réparer l'outil électrique avant de l'utiliser.** De nombreux accidents sont causés par des outils électriques mal entretenus.
22. **Maintenez les outils tranchants bien aiguisés et propres.** Un outil tranchant dont l'entretien est effectué correctement et dont les bords sont bien aiguisés risquera moins de se coincer et sera plus facile à maîtriser.
23. **Utilisez l'outil électrique, ses accessoires, ses embouts, etc., en respectant les présentes instructions, en tenant compte des conditions de travail et du type de travail à effectuer.** L'utilisation d'un outil électrique à des fins autres que celles prévues peut entraîner une situation dangereuse.

Utilisation et entretien des outils électriques

17. **Ne forcez pas l'outil électrique. Utilisez l'outil électrique adéquat suivant le type de travail à effectuer.** Si vous utilisez l'outil électrique adéquat et respectez le régime pour lequel il a été conçu, il effectuera un travail de meilleure qualité et de façon plus sécuritaire.
18. **N'utilisez pas l'outil électrique s'il n'est pas possible de mettre sa gâchette en position de marche et d'arrêt.** Un outil électrique dont l'interrupteur est défectueux représente un danger et doit être réparé.
19. **Débranchez la fiche de la source d'alimentation et/ou retirez le bloc-piles de l'outil électrique avant d'effectuer tout réglage, de changer un accessoire ou de ranger l'outil électrique.** De telles mesures préventives réduisent les risques de démarrage accidentel de l'outil électrique.
20. **Après l'utilisation d'un outil électrique, rangez-le hors de portée des enfants et ne laissez aucune personne l'utiliser si elle n'est pas familiarisée avec l'outil électrique ou les présentes instructions d'utilisation.** Les outils électriques représentent un danger entre les mains de personnes qui n'en connaissent pas le mode d'utilisation.

Réparation

24. **Faites réparer votre outil électrique par un réparateur qualifié qui utilise des pièces de rechange identiques aux pièces d'origine.** Le maintien de la sûreté de l'outil électrique sera ainsi assuré.
25. **Suivez les instructions de lubrification et de changement des accessoires.**
26. **Maintenez les poignées de l'outil sèches, propres et exemptes d'huile ou de graisse.**

UTILISEZ UN CORDON PROLONGATEUR ADÉQUAT.

N'utilisez que les cordons prolongateurs à trois fils et munis d'une fiche tripolaire, ainsi que des prises tripolaires adaptées à la fiche de l'outil. Assurez-vous que le cordon prolongateur est en bon état. Remplacez ou réparez sans tarder tout cordon endommagé ou usé. Lors de l'utilisation d'un cordon prolongateur, utilisez sans faute un cordon assez gros pour conduire le courant dont l'outil a besoin. Un cordon trop petit provoquera une baisse de tension de secteur, résultant en une perte de puissance et une surchauffe. Le Tableau 1 indique la dimension appropriée de cordon selon sa longueur et selon l'intensité nominale indiquée sur la plaque signalétique. En cas de doute sur un cordon donné, utilisez le cordon suivant (plus gros). Plus le numéro de gabarit indiqué est petit, plus le cordon est gros.

Tableau 1. Gabarit minimum du cordon

Intensité nominale		Volts	Longueur totale du cordon en pieds			
		120 V	25 pi	50 pi	100 pi	150 pi
Plus de	Pas plus de	Calibre américain des fils				
0	6		18	16	16	14
6	10		18	16	14	12
10	12		16	16	14	12
12	16		14	12	Non recommandé	

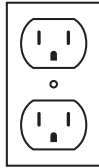
INSTRUCTIONS DE MISE À LA TERRE :

Cet outil doit être mis à la terre pendant l'utilisation pour protéger l'utilisateur contre l'électrocution. L'outil est doté d'un cordon à trois fils conducteurs et d'une fiche tripolaire à brancher sur une prise tripolaire adéquate. Le fil conducteur vert (ou vert et jaune) du cordon est le fil de terre. Ne connectez jamais le fil vert (ou vert et jaune) à une borne sous tension. L'appareil est conçu pour être alimenté par un courant de 120 volts et est doté d'une fiche comme celle de l'illustration « A ».

Fig. A



Lame de mise à terre



Couvercle de la prise d'alimentation mise à terre

CONSIGNES DE SÉCURITÉ POUR LA DÉFONCEUSE

1. Tenez l'outil électrique par ses surfaces de prise isolées, car le couteau pourrait venir en contact avec son propre cordon. Si un conducteur sous tension était coupé, les pièces métalliques à découvert de l'outil pourraient devenir sous tension et risqueraient de transmettre une décharge électrique à l'utilisateur.
2. Immobilisez le matériau sur une surface stable au moyen de brides ou de toute autre façon adéquate. Le fait de tenir la pièce avec la main ou contre votre corps offre une stabilité insuffisante et peut entraîner une perte de maîtrise de l'outil.
3. Portez une protection d'oreille lors des travaux de longue durée.
4. Maniez les fraises avec soin.
5. Vérifiez bien l'absence de fissures ou de dommages sur la fraise avant l'utilisation. Remplacez immédiatement toute fraise fissurée ou endommagée.
6. Évitez les clous. Avant de travailler votre pièce, inspectez-la et retirez-en tous les clous.
7. Tenez l'outil fermement à deux mains.
8. Gardez les mains éloignées des pièces en rotation.
9. Assurez-vous que la lame ne touche pas la pièce à travailler avant que le contact ne soit mis.
10. Avant de commencer à travailler, laissez tourner l'outil à vide un instant ; assurez-vous qu'il n'y a ni vibration ni ballonnement, ce qui indiquerait une fraise mal fixée.
11. Vérifiez toujours le sens de rotation de la fraise et le sens de déplacement de l'outil.
12. N'abandonnez pas l'outil alors qu'il tourne. Ne faites fonctionner l'outil qu'une fois que vous l'avez bien en main.
13. Avant de retirer l'outil de la pièce, coupez toujours le contact et attendez que la fraise soit complètement arrêtée.
14. Ne touchez pas la fraise immédiatement après son arrêt ; elle peut être extrêmement chaude et pourrait vous brûler.
15. Veillez à maintenir la base de l'outil à l'écart des produits tels que du diluant, de l'essence ou de l'huile. Ils peuvent causer des fissures sur la base de l'outil.


16. Utilisez des fraises dont la queue présente un diamètre adéquat pour la vitesse de l'outil.
17. Certains matériaux contiennent des produits chimiques qui peuvent être toxiques. Prenez les précautions nécessaires pour éviter l'inhalation de ces poussières ou leur contact avec la peau. Conformez-vous aux consignes de sécurité du fournisseur du matériau.
18. Utilisez toujours un masque antipoussières ou un masque filtrant approprié au matériau à travailler et à l'outil utilisé.

CONSERVEZ CE MODE D'EMPLOI.

⚠ MISE EN GARDE : NE VOUS LAISSEZ PAS tromper (au fil d'une utilisation répétée) par un sentiment d'aisance ou de familiarité avec le produit en négligeant les consignes de sécurité qui accompagnent le produit. L'utilisation non sécuritaire ou incorrecte de cet outil comporte un risque de blessure grave.

Symboles

Les symboles utilisés pour l'outil sont indiqués ci-dessous.

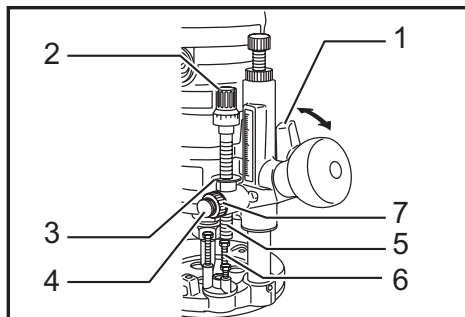
V	volts
A	ampères
Hz	hertz
	courant alternatif
n _o	vitesse à vide
... /min r /min	tours ou alternances par minute

DESCRIPTION DU FONCTIONNEMENT

⚠ ATTENTION :

- Assurez-vous toujours que l'outil est hors tension et débranché avant de l'ajuster ou de vérifier son fonctionnement.

Réglage de la profondeur de coupe



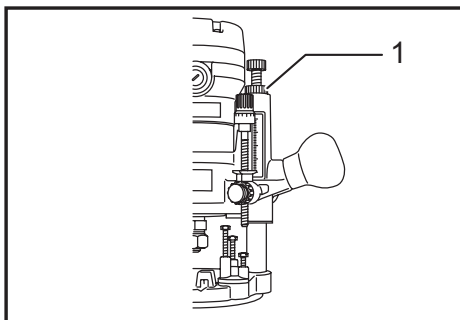
- ▶ 1. Levier de verrouillage 2. Bouton de réglage
3. Index de profondeur 4. Bouton d'alimentation rapide 5. Tige d'arrêt 6. Bouton d'alimentation rapide 7. Écrou de réglage de la tige d'arrêt

Posez l'outil sur une surface plane. Appuyez sur le levier de verrouillage et abaissez le bâti jusqu'à ce que la fraise entre en contact avec la surface plane. Relâchez le levier de verrouillage pour verrouiller le bâti de l'outil dans la position abaissée.

Tournez l'écrou de réglage de la tige d'arrêt dans le sens inverse des aiguilles d'une montre pour le desserrer. Tout en appuyant sur le bouton d'avance rapide, abaissez la tige d'arrêt jusqu'à ce qu'elle entre en contact avec le boulon de réglage hexagonal. Alignez l'index de profondeur sur la graduation « 0 ». La profondeur de la coupe est indiquée sur l'échelle par l'index de profondeur. Tout en appuyant sur le bouton d'avance rapide, soulevez la tige d'arrêt jusqu'à la profondeur de coupe désirée. Il est possible d'effectuer de menus réglages de la profondeur en tournant le bouton de réglage (1,6 mm (1/16") par tour). Une fois la profondeur de coupe réglée, tournez l'écrou de réglage de la tige d'arrêt dans le sens des aiguilles d'une montre pour fixer fermement la tige d'arrêt.

Il est maintenant possible d'obtenir la profondeur de coupe prédéfinie en appuyant sur le levier de verrouillage puis en abaissant le bâti de l'outil jusqu'à ce que la tige d'arrêt entre en contact avec le boulon de réglage hexagonal du bloc d'arrêt.

Écrou de nylon



- ▶ 1. Écrou de nylon

⚠ ATTENTION :

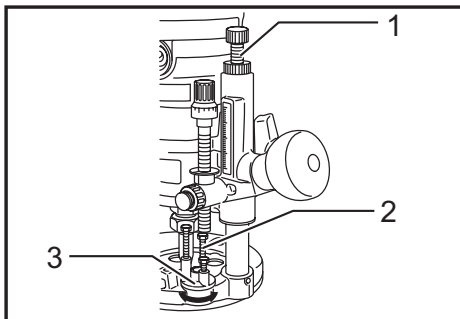
- N'abaissez pas trop l'écrou de nylon, car la fraise risque de dépasser dangereusement.

En tournant l'écrou de nylon, il est possible de régler la limite supérieure du bâti de l'outil. Lorsque la pointe de la fraise est trop en retrait par rapport à la surface de la plaque de base, tournez l'écrou de nylon pour abaisser la limite supérieure.

⚠ ATTENTION :

- Comme une coupe excessive peut causer une surcharge du moteur ou rendre la maîtrise de l'outil difficile, la profondeur de coupe ne doit pas dépasser 15 mm (9/16") par passe lorsque vous pratiquez des rainures en utilisant une fraise d'un diamètre de 8 mm (5/16").
- Lorsque vous pratiquez des rainures avec une fraise de 20 mm (13/16") de diamètre, la profondeur de coupe ne doit pas être de plus de 5 mm (3/16") par passe.
- Pour pratiquer des rainures plus profondes, faites deux ou trois passes avec des profondeurs progressivement supérieures.

Butée



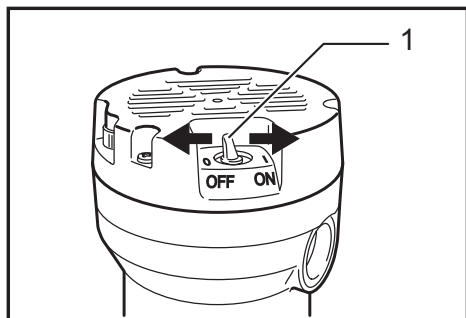
- ▶ 1. Tige d'arrêt 2. Boulon hexagonal de réglage
3. Bloc de butée

La butée est munie de trois boulons de réglage hexagonaux qui s'élèvent ou s'abaissent de 0,8 mm (1/32") par tour. Vous pouvez facilement obtenir trois différentes profondeurs de coupe à l'aide de ces boulons de réglage hexagonaux, sans modifier le réglage de la tige d'arrêt.

Ajustez le boulon hexagonal inférieur à la plus grande profondeur de coupe désirée, en suivant la méthode décrite dans la section « Réglage de la profondeur de coupe ». Réglez ensuite les deux autres boulons hexagonaux pour obtenir des profondeurs de coupe inférieures. La différence entre la hauteur de chacun de ces boulons hexagonaux correspond à la différence entre les profondeurs de coupe.

Pour régler la hauteur des boulons hexagonaux, tournez-les avec un tournevis ou une clé. La butée est également utile pour réaliser trois passes avec une profondeur progressivement supérieure de la fraise, lorsque vous pratiquez des rainures profondes.

Interrupteur



► 1. Levier de l'interrupteur

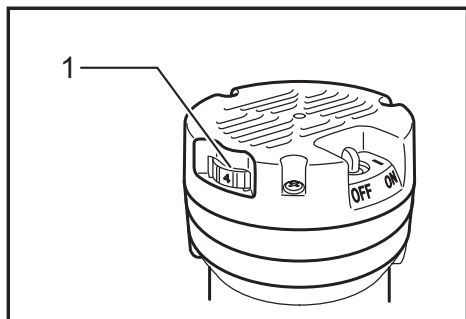
⚠ ATTENTION :

- Avant de brancher l'outil, vérifiez toujours que l'outil est hors tension.
- Pour rendre le travail de l'utilisateur plus confortable lors d'une utilisation prolongée, l'interrupteur peut être verrouillé en position de marche. Soyez prudent lorsque vous verrouillez l'outil en position de marche, et maintenez une poigne solide sur l'outil.

Pour démarrer l'outil, poussez le levier d'interrupteur du côté I (ON). Pour l'arrêter, poussez le du côté O (OFF).

Cadran de réglage de vitesse

Uniquement pour le modèle RP1101



► 1. Cadran de réglage de la vitesse

Vous pouvez changer la vitesse de l'outil en tournant le cadran de réglage de vitesse sur un réglage de 1 à 6. Si vous tournez le cadran en direction du 6, la vitesse sera plus élevée. Si vous tournez le cadran en direction du 1, la vitesse sera plus faible.

Cela vous permet de sélectionner une vitesse idéale pour traiter le matériau de façon optimale, c'est-à-dire que la vitesse peut être ajustée correctement pour correspondre au matériau et au diamètre de la fraise. Consultez le tableau pour connaître le rapport entre les chiffres du cadran et une approximation de la vitesse de l'outil correspondante.

Numéro	tr/min
1	8 000
2	10 000
3	14 000
4	18 000
5	22 000
6	24 000

⚠ ATTENTION :

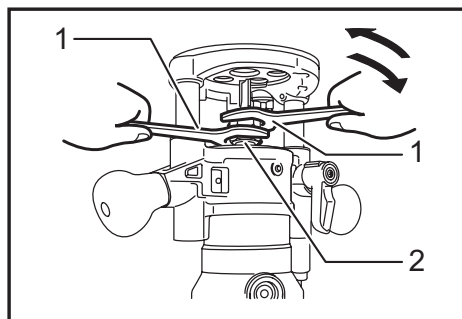
- Si l'outil est utilisé de manière continue à vitesse réduite sur une période prolongée, le moteur sera surchargé et cela entraînera un mauvais fonctionnement de l'outil.
- Le cadran de réglage de la vitesse ne peut pas dépasser le 6 et le 1. Ne le forcez pas à dépasser le 6 ou le 1, sinon la fonction de réglage de la vitesse risque de ne plus fonctionner.

ASSEMBLAGE

⚠ ATTENTION :

- Avant d'effectuer toute intervention sur l'outil, assurez-vous toujours qu'il est hors tension et débranché.

Installation et retrait du foret



► 1. Clé 2. Mandrin à bague

ATTENTION :

- Utilisez toujours une pince adaptée au diamètre de queue de la fraise.
- Ne serrez pas le mandrin à bague sans avoir d'abord inséré une fraise, autrement vous casseriez le mandrin à bague.
- Pour utiliser une fraise dont le diamètre est supérieur à 1-1/4", remplacez la plaque de base initiale par celle dont l'orifice central a un diamètre de 2-1/2".

Insérez la fraise à fond dans le mandrin à bague puis sortez-la juste un peu (d'environ 2 mm, 1/16"). Serrez ensuite fermement le mandrin à bague à l'aide des deux clés.

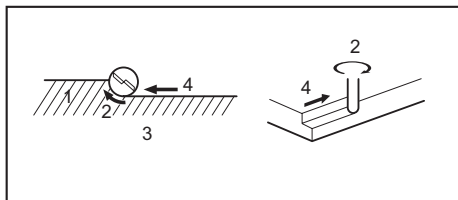
Ces défonceuses sont compatibles avec les fraises dont le diamètre de queue est de 1/2". Lorsque vous utilisez une fraise ayant un diamètre de queue de 1/4", remplacez le mandrin à bague installé de série avec celui pour les fraises au diamètre de queue de 1/4" qui est fourni en accessoire de base.

Pour retirer la fraise, suivez la procédure d'installation en sens inverse.

UTILISATION

Posez la base de l'outil sur la pièce à couper, sans que la fraise entre en contact avec quoi que ce soit. Mettez ensuite le contact et attendez que la fraise atteigne sa pleine vitesse. Abaissez le bâti de l'outil en poussant le levier de verrouillage vers le bas. Relâchez le levier de verrouillage au plus bas et poussez-le encore pour verrouiller fermement le bâti de l'outil. Déplacez l'outil vers l'avant sur la pièce, en gardant sa base à niveau et en progressant doucement jusqu'à ce que la coupe soit achevée.

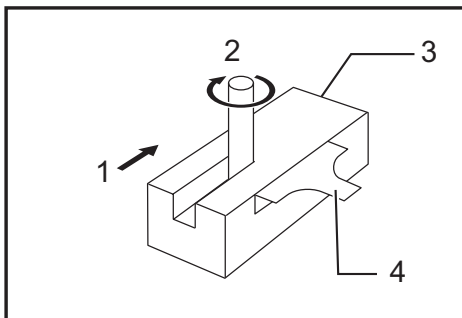
Quand vous faites une coupe sur rebord, la surface de la pièce doit être du côté gauche de la fraise dans le sens de progression de l'outil.



- 1. Pièce 2. Sens de rotation du foret 3. Vu à partir du haut de l'outil 4. Sens d'alimentation

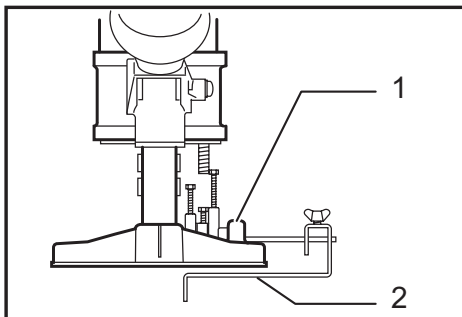
NOTE :

- Assurez-vous que l'outil se soulève automatiquement lorsque le levier de verrouillage est relâché. La position de la fraise doit être plus élevée par rapport à la base de l'outil lorsque celui-ci n'est pas en fonction.
- Si vous déplacez votre outil trop vite vers l'avant, vous risquez d'obtenir une coupe de qualité médiocre et d'endommager la fraise ou le moteur. Si vous allez trop lentement, vous risquez de brûler la pièce et de gâcher la coupe. La vitesse de progression adéquate dépend du calibre de la fraise, de la nature de la pièce et de la profondeur de coupe. Avant de commencer votre coupe sur la pièce, nous vous conseillons de faire un essai sur un morceau de chute de bois. Cela vous montrera exactement l'allure qu'aura votre coupe et vous permettra de vérifier les dimensions.
- Quand vous utilisez le guide de coupe rectiligne, veillez à l'installer du côté droit dans le sens de progression de l'outil. Il sera ainsi plus facile de la garder bien au contact sur le côté de la pièce.



- 1. Sens d'alimentation 2. Sens de rotation du foret
3. Pièce 4. Guide de coupe rectiligne

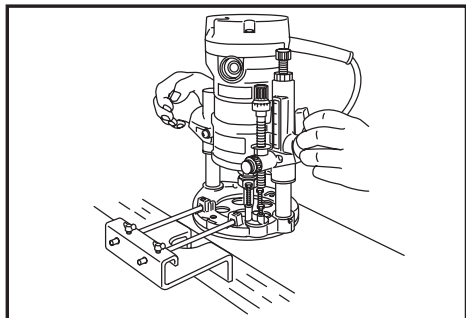
Guide de coupe rectiligne (accessoire en option)



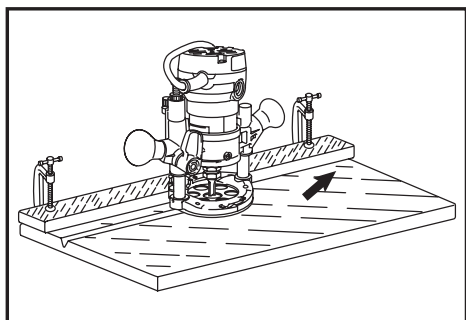
- 1. Boulons à douille hexagonale 2. Guide de coupe rectiligne

Le guide de coupe rectiligne est efficace pour obtenir des coupes droites quand vous chanfreinez ou rainez. Pour installer le guide de coupe rectiligne, insérez les barres de guidage dans les orifices de la base de l'outil. Ajustez la distance entre la fraise et le guide de coupe rectiligne. Une fois la distance désirée obtenue, serrez les boulons à douille hexagonale pour immobiliser le guide de coupe rectiligne.

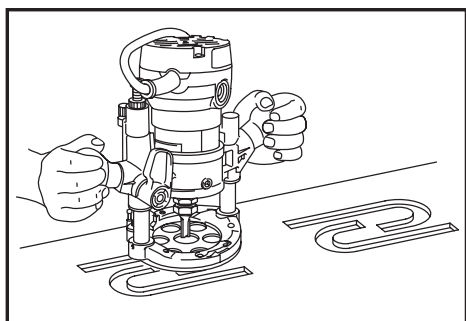
Quand vous coupez, déplacez l'outil en maintenant le guide en appui avec le côté de la pièce à travailler.



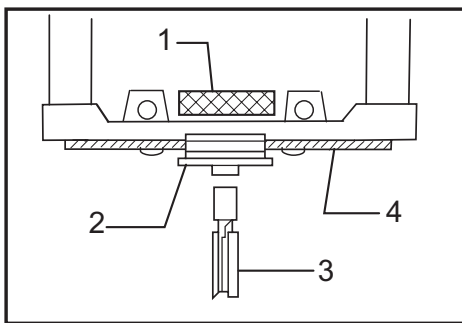
Si la distance entre le bord de la pièce et la position de coupe est trop grande pour le guide de coupe rectiligne, ou encore si le côté de la pièce n'est pas droit, il n'est pas possible d'utiliser le guide de coupe rectiligne. Dans ce cas, fixez fermement un panneau droit sur la pièce et utilisez-le comme guide contre la base. Suivez le sens de la flèche.



Guide de gabarit (accessoire en option)

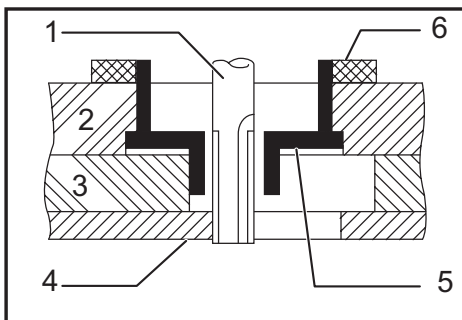


Le guide de gabarit présente un manchon à travers lequel passe la fraise, permettant d'utiliser l'outil pour la reproduction exacte d'un modèle donné. Pour installer le guide de gabarit, insérez-le dans l'orifice central de la plaque de base et immobilisez-le avec le contre-écrou.



► 1. Contre-écrou 2. Guide de gabarit 3. Fraise de toupilleuse 4. Plaque de base

Fixez le gabarit sur la pièce. Placez l'outil sur le gabarit et déplacez-le en faisant glisser le guide de gabarit le long du côté du gabarit.



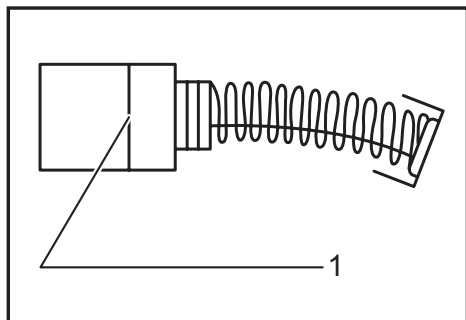
► 1. Fraise de toupilleuse 2. Base 3. Gabarit 4. Pièce 5. Guide de gabarit 6. Contre-écrou

ENTRETIEN

⚠ ATTENTION :

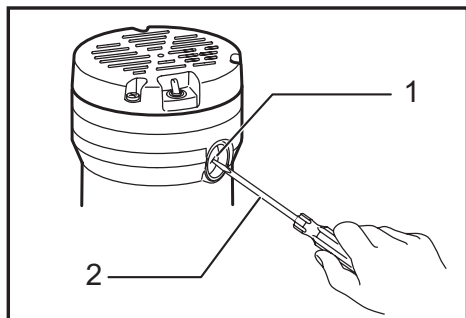
- Assurez-vous toujours que l'outil est hors tension et débranché avant d'y effectuer tout travail d'inspection ou d'entretien.
- N'utilisez jamais d'essence, de benzine, de solvant, d'alcool ou d'autres produits similaires. Une décoloration, une déformation, ou la formation de fissures peuvent en découler.

Remplacement des charbons



► 1. Trait de limite d'usure

Retirez et vérifiez régulièrement les charbons. Remplacez-les lorsqu'ils sont usés jusqu'au trait de limite d'usure. Maintenez les charbons propres et en état de glisser aisément dans les porte-charbon. Les deux charbons doivent être remplacés en même temps. N'utilisez que des charbons identiques. Utilisez un tournevis pour retirer les bouchons de porte-charbon. Enlevez les charbons usés, insérez-en de nouveaux et revissez solidement les bouchons de porte-charbon.



► 1. Bouchon de porte-charbon 2. Tournevis

Pour maintenir la SÉCURITÉ et la FIABILITÉ du produit, les réparations, tout autre travail d'entretien ou de réglage doivent être effectués dans un centre de service Makita agréé ou un centre de service de l'usine Makita, exclusivement avec des pièces de rechange Makita.

ACCESSOIRES EN OPTION

⚠ ATTENTION :

- Ces accessoires ou pièces complémentaires sont recommandés pour l'utilisation avec l'outil Makita spécifié dans ce mode d'emploi. L'utilisation de tout autre accessoire ou pièce complémentaire peut comporter un risque de blessure. N'utilisez les accessoires ou pièces qu'aux fins auxquelles ils ont été conçus.

Si vous désirez obtenir plus de détails concernant ces accessoires, veuillez contacter le centre de service après-vente Makita le plus près.

- Fraises pour coupes rectilignes et rainures
- Fraises pour rebord
- Fraises pour affleurage de stratifié
- Guide de coupe rectiligne
- Guides de gabarit
- Contre-écrou
- Plaque de base (orifice central de 2-1/2")
- Clé 27
- Raccord à poussières

NOTE :

- Certains éléments de la liste peuvent être inclus avec l'outil comme accessoires standard. Ils peuvent varier suivant les pays.

GARANTIE LIMITÉE MAKITA

Pour les conditions de garantie en vigueur qui s'appliquent à ce produit, veuillez vous reporter à la feuille de garantie en annexe. Si la feuille de garantie en annexe n'est pas disponible, reportez-vous aux détails de la garantie présentés sur le site Web de votre pays, ci-dessous.

États-Unis d'Amérique: www.makitatools.com

Canada: www.makita.ca

Autres pays: www.makita.com

ESPECIFICACIONES

Modelo	RP1100	RP1101
Especificaciones eléctricas en México	120 V ~ 11 A 50/60 Hz	
Diámetro de la pinza de sujeción	1/2" y 1/4"	
Velocidad sin carga (RPM)	24 000 r/min	8 000 r/min - 24 000 r/min
Longitud total	291 mm (11-1/2")	
Peso neto	4,2 kg (9,3 lbs)	

- Debido a nuestro programa continuo de investigación y desarrollo, las especificaciones aquí dadas están sujetas a cambios sin previo aviso.
- Las especificaciones pueden ser diferentes de país a país.
- Peso de acuerdo al procedimiento de EPTA-01/2003

Advertencias de seguridad generales para herramientas eléctricas

⚠ADVERTENCIA: lea todas las advertencias de seguridad e instrucciones. Si no sigue todas las advertencias e instrucciones indicadas a continuación, podrá ocasionar una descarga eléctrica, un incendio y/o lesiones graves.

Guarde todas las advertencias e instrucciones para su futura referencia.

El término "herramienta eléctrica" se refiere, en todas las advertencias que aparecen a continuación, a su herramienta eléctrica de funcionamiento con conexión a la red eléctrica (con cableado eléctrico) o herramienta eléctrica de funcionamiento a batería (inalámbrica).

Seguridad en el área de trabajo

1. **Mantenga el área de trabajo limpia y bien iluminada.** Las áreas oscuras o desordenadas son propensas a accidentes.
2. **No utilice las herramientas eléctricas en atmósferas explosivas, tal como en la presencia de líquidos, gases o polvo inflamables.** Las herramientas eléctricas crean chispas que pueden prender fuego al polvo o los humos.
3. **Mantenga a los niños y curiosos alejados mientras utiliza una herramienta eléctrica.** Las distracciones le pueden hacer perder el control.

Seguridad eléctrica

4. **Las clavijas de conexión de las herramientas eléctricas deberán encajar perfectamente en la toma de corriente. No modifique nunca la clavija de conexión de ninguna forma. No utilice ninguna clavija adaptadora con herramientas eléctricas que tengan conexión a tierra (puesta a tierra).** La utilización de clavijas no modificadas y que encajen perfectamente en la toma de corriente reducirá el riesgo de que se produzca una descarga eléctrica.
5. **Evite tocar con el cuerpo superficies conectadas a tierra o puestas a tierra tales como tubos, radiadores, cocinas y refrigeradores.** Si su cuerpo es puesto a tierra o conectado a tierra existirá un mayor riesgo de que sufra una descarga eléctrica.

6. **No exponga las herramientas eléctricas a la lluvia ni a condiciones húmedas.** La entrada de agua en una herramienta eléctrica aumentará el riesgo de que se produzca una descarga eléctrica.
7. **No jale el cable. Nunca utilice el cable para transportar, jalar o desconectar la herramienta eléctrica. Mantenga el cable alejado del calor, aceite, objetos cortantes o piezas móviles.** Los cables dañados o atrapados aumentan el riesgo de sufrir una descarga eléctrica.
8. **Cuando utilice una herramienta eléctrica en exteriores, utilice un cable de extensión apropiado para uso en exteriores.** La utilización de un cable apropiado para uso en exteriores reducirá el riesgo de que se produzca una descarga eléctrica.
9. **Si no es posible evitar usar una herramienta eléctrica en condiciones húmedas, utilice un alimentador protegido con interruptor de circuito de falla en tierra (ICFT).** El uso de un ICFT reduce el riesgo de descarga eléctrica.

Seguridad personal

10. **Manténgase alerta, preste atención a lo que está haciendo y utilice su sentido común cuando opere una herramienta eléctrica. No utilice la herramienta eléctrica cuando esté cansado o bajo la influencia de drogas, alcohol o medicamentos.** Un momento de distracción mientras opera la máquina puede dar como resultado heridas personales graves.
11. **Use equipo de protección personal. Póngase siempre protección para los ojos.** El equipo protector tal como máscara contra el polvo, zapatos de seguridad antiderrapantes, casco rígido y protección para oídos utilizado en las condiciones apropiadas reducirá las heridas personales.
12. **Impida el encendido accidental. Asegúrese de que el interruptor esté en la posición de apagado antes de conectar a la alimentación eléctrica y/o de colocar el cartucho de la batería, así como al levantar o cargar la herramienta.** Cargar las herramientas eléctricas con su dedo en el interruptor o conectarlas con el interruptor encendido hace que los accidentes sean propensos.

13. **Retire cualquier llave de ajuste o llave de apriete antes de encender la herramienta.** Una llave de ajuste o llave de apriete que haya sido dejada puesta en una parte giratoria de la herramienta eléctrica podrá resultar en heridas personales.
14. **No utilice la herramienta donde no alcance. Mantenga los pies sobre suelo firme y el equilibrio en todo momento.** Esto permite un mejor control de la herramienta eléctrica en situaciones inesperadas.
15. **Use vestimenta apropiada. No use ropas sueltas ni joyas. Mantenga el cabello, la ropa y los guantes alejados de las piezas móviles.** Las prendas de vestir holgadas, las joyas y el cabello suelto podrían engancharse en estas piezas móviles.
16. **Si dispone de dispositivos para la conexión de equipos de extracción y recolección de polvo, asegúrese de conectarlos y utilizarlos debidamente.** La utilización de estos dispositivos reduce los riesgos relacionados con el polvo.

Mantenimiento y uso de la herramienta eléctrica

17. **No fuerce la herramienta eléctrica. Utilice la herramienta eléctrica correcta para su aplicación.** La herramienta eléctrica adecuada hará un trabajo mejor a la velocidad para la que ha sido fabricada.
18. **No utilice la herramienta eléctrica si el interruptor no la enciende y apaga.** Cualquier herramienta eléctrica que no pueda ser controlada con el interruptor es peligrosa y debe ser reemplazada.
19. **Desconecte la clavija de la fuente de energía y/o la batería de la herramienta eléctrica antes de realizar ajustes, cambiar accesorios o guardar las herramientas eléctricas.** Dichas medidas de seguridad preventivas reducen el riesgo de que la herramienta se inicie accidentalmente.
20. **Guarde la herramienta eléctrica que no use fuera del alcance de los niños y no permita que las personas que no están familiarizadas con ella o con las instrucciones la operen.** Las herramientas eléctricas son peligrosas en manos de personas que no saben operarlas.

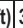
21. **Realice el mantenimiento a las herramientas eléctricas. Compruebe que no haya partes móviles desalineadas o estancadas, piezas rotas y cualquier otra condición que pueda afectar al funcionamiento de la herramienta eléctrica. Si la herramienta eléctrica está dañada, haga que se la reparen antes de utilizarla.** Muchos accidentes son ocasionados por herramientas eléctricas con un mal mantenimiento.
22. **Mantenga las herramientas de corte limpias y filosas.** Si recibe un mantenimiento adecuado y tiene los bordes afilados, es probable que la herramienta se atasque menos y sea más fácil controlarla.
23. **Utilice la herramienta eléctrica, así como accesorios, piezas, brocas, etc. de acuerdo con estas instrucciones y de la manera establecida para cada tipo de unidad en particular; tenga en cuenta las condiciones laborales y el trabajo a realizar.** Si utiliza la herramienta eléctrica para realizar operaciones distintas de las indicadas, podrá presentarse una situación peligrosa.

Servicio de mantenimiento

24. **Haga que una persona calificada repare la herramienta utilizando sólo piezas de repuesto idénticas.** Esto asegura que se mantenga la seguridad de la herramienta eléctrica.
25. **Siga las instrucciones para la lubricación y cambio de accesorios.**
26. **Mantenga las agarraderas secas, limpias y sin aceite o grasa.**

UTILICE UN CABLE DE EXTENSIÓN ADECUADO. Utilice sólo cables de extensión de tres conductores que tienen clavijas de tres espigas a tierra y tomas de corriente de tres polos que aceptan la clavija de la herramienta. Asegúrese de que el cable de extensión esté en buenas condiciones. Reemplace o repare el cable dañado o gastado inmediatamente. Cuando use un cable de extensión, asegúrese de que éste sea lo suficientemente potente como para soportar la tensión eléctrica que producirá el uso de la herramienta. Un cable demasiado delgado producirá una reducción del voltaje, lo que ocasionará una disminución en la corriente y sobrecalentamiento. La tabla 1 muestra el tamaño correcto de cable, dependiendo de la longitud y del rango de amperio establecido en la placa de fábrica. Si tiene duda, utilice uno más potente. Cuanto más pequeño sea el número del calibre, más potente será el cable.

Tabla 1. Calibre mínimo para el cable

Amperaje nominal		Volts	Longitud total del cable en metros			
		120 V 	7,6 m (25 ft)	15,2 m (50 ft)	30,4 m (100 ft)	45,7 m (150 ft)
Más de	No más de	Calibre del cable (AWG)				
0 A	6 A		18	16	16	14
6 A	10 A		18	16	14	12
10 A	12 A		16	16	14	12
12 A	16 A		14	12	No se recomienda	

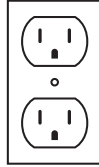
INSTRUCCIONES DE CONEXIÓN A TIERRA:

Esta herramienta debe conectarse a una conexión aterrizada durante su operación para proteger al operador contra una descarga eléctrica. Esta herramienta está equipada con un cable de alimentación y conexión trifásicos para ajustarse a un receptáculo aterrizado adecuadamente. El conductor verde (o verde y amarillo) del cable es la conexión a tierra. Nunca conecte dicho cable a una terminal electrificada. Su unidad es para usar en 120 volts y tiene una clavija igual a la que aparece en la Figura "A".

Fig. A



Espiga para conexión a tierra



Cubierta de la caja del tomacorriente conectada a tierra

ADVERTENCIAS DE SEGURIDAD PARA LA REBAJADORA

1. Sujete la herramienta eléctrica por las superficies de sujeción aisladas debido a que puede que la pieza cortadora llegue a tener contacto con su propio cable eléctrico. El contacto con un cable con corriente puede que electrifique las piezas metálicas expuestas de la herramienta causando que el operario reciba una descarga eléctrica.
2. Utilice abrazaderas o algún otro modo práctico para asegurar y sujetar la pieza de trabajo a una plataforma estable. Sostener la pieza de trabajo con la mano o contra su cuerpo produce inestabilidad y una posible pérdida de control.
3. Póngase protección para los oídos durante los periodos de operación prolongados.
4. Maneje las fresas con mucho cuidado.
5. Inspeccione la fresa cuidadosamente para ver si tiene grietas o daños antes de comenzar la operación. Reemplace la fresa inmediatamente si está agrietada o dañada.
6. Evite cortar clavos. Inspeccione y quite todos los clavos de la pieza de trabajo antes de la operación.
7. Sujete la herramienta firmemente con ambas manos.
8. Mantenga las manos alejadas de las piezas giratorias.
9. Asegúrese de que la fresa no esté haciendo contacto con la pieza de trabajo antes de activar el interruptor.
10. Antes de usar la herramienta en una pieza de trabajo, déjela un rato en funcionamiento. Observe si se producen vibraciones o desequilibrios que pudieran indicar que la broca está mal colocada.
11. Tenga cuidado con la dirección de giro y de avance de la fresa.
12. No deje la herramienta en marcha. Tenga en marcha la herramienta solamente cuando la tenga en la mano.
13. Apague siempre la herramienta y espere hasta que la fresa haya parado completamente antes de retirar la herramienta de la pieza de trabajo.
14. No toque la fresa inmediatamente después de la operación; estará muy caliente y podrá quemarle la piel.


15. No manche la base de la herramienta con diluyente, gasolina, aceite o por el estilo. Estos productos pueden ocasionar grietas en la base de la herramienta.
16. Use fresas del diámetro de vástago correcto adecuado a la velocidad de la herramienta.
17. Algunos materiales contienen sustancias químicas que pueden ser tóxicas. Tome precauciones para evitar la inhalación de polvo o que éste tenga contacto con la piel. Consulte la información de seguridad del proveedor de los materiales.
18. Siempre utilice el respirador/máscara indicado para protegerse del polvo que corresponda con la aplicación o material con el que trabaje.

GUARDE ESTAS INSTRUCCIONES.

⚠ ADVERTENCIA: NO DEJE que la comodidad o familiaridad con el producto (a base de utilizarlo repetidamente) sustituya la estricta observancia de las normas de seguridad para dicho producto. El MAL USO o el no seguir las normas de seguridad establecidas en este manual de instrucciones puede ocasionar graves lesiones personales.

Símbolos

A continuación se muestran los símbolos utilizados para la herramienta.

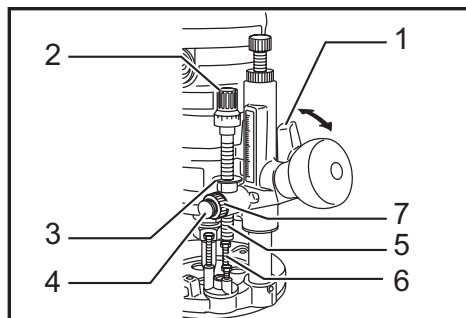
V	volts o voltios
A	ampere o ampério
Hz	hertz o hercios
	corriente alterna
n _o	velocidad en vacío o sin carga
... /min r/min	revoluciones o alternaciones por minuto, frecuencia de rotación.

DESCRIPCIÓN DEL FUNCIONAMIENTO

⚠️ PRECAUCIÓN:

- Asegúrese siempre de que la herramienta esté apagada y desconectada antes de ajustar o comprobar cualquier función en la misma.

Ajuste de la profundidad de corte



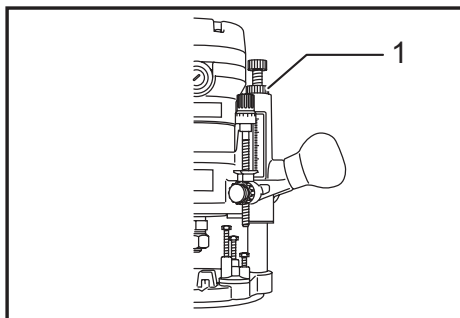
- 1. Palanca de bloqueo 2. Perilla de ajuste
3. Apuntador de profundidad 4. Botón de avance rápido 5. Tope de profundidad 6. Botón de avance rápido 7. Tuerca de ajuste de la vara de tope

Coloque la herramienta en una superficie plana. Empuje hacia abajo la palanca de bloqueo y baje el cuerpo de la herramienta hasta que la fresa toque la superficie plana. Suelte la palanca de bloqueo para sujetar el cuerpo de la herramienta.

Gire la tuerca de ajuste de la vara de tope hacia la izquierda para aflojar. Mientras presiona el botón de alimentación rápida, baje la vara de tope hasta que haga contacto con el perno hexagonal de ajuste. Alinee el apuntador de profundidad con graduación "0" (cero). La profundidad de corte se indica en la regla de medición mediante el apuntador de profundidad. Mientras sostiene presionado dicho botón, eleve la vara de tope hasta conseguir la profundidad de corte deseada. Es posible ajustar minuciosamente la profundidad al girar la perilla de ajuste (1.6 mm (1/16") por giro). Tras ajustar la profundidad del corte, gire tuerca de ajuste de la vara de tope hacia la derecha para fijar la vara de tope con firmeza.

Ahora, su profundidad de corte preestablecida puede conseguirse al presionar la palanca de bloqueo y luego bajando el cuerpo de la herramienta hasta que la vara de tope haga contacto con el perno hexagonal de ajuste del bloque de tope.

Tuerca de nailon



- 1. Tuerca de nailon

⚠️ PRECAUCIÓN:

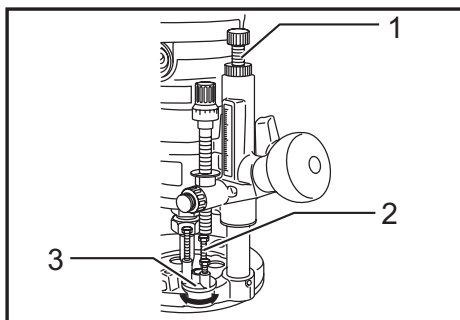
- No baje demasiado la tuerca de nailon o la fresa tendrá una protuberancia peligrosa.

El límite superior del cuerpo de la herramienta puede ajustarse al girar la tuerca de nailon. Cuando la punta de la fresa está retraída más de lo requerido en relación a la superficie de la placa de base, gire la tuerca de nailon para bajar el límite superior.

⚠️ PRECAUCIÓN:

- Debido a que el corte excesivo puede causar una sobrecarga del motor, así como dificultad para controlar la herramienta, la profundidad de corte no debe ser mayor a 15 mm (9/16") en una pasada cuando se estén cortando ranuras con una fresa de 8mm (5/16") de diámetro.
- Al cortar las ranuras con una broca de 20 mm (13/16") de diámetro, la profundidad de corte deberá no ser mayor de 5 mm (3/16") en una pasada.
- Para operaciones de mayor nivel de ranurado o acanalado, realice dos o tres pasadas con ajustes de broca más profundos de manera progresiva.

Bloque de tope

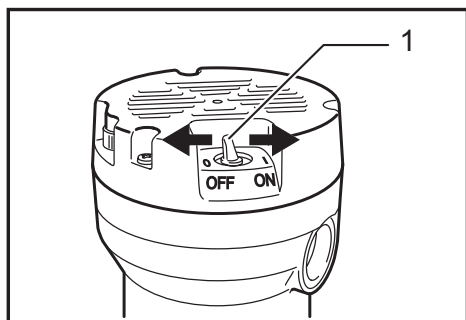


- 1. Tope de profundidad 2. Perno hexagonal de ajuste 3. Bloque de tope

El bloque de tope cuenta con tres pernos hexagonales de ajuste los cuales se elevan o se bajan 0,8 mm (1/32") por giro. Puede conseguir fácilmente tres profundidades de corte distintas al usar estos pernos hexagonales de ajuste sin tener que reajustar la vara de tope.

Ajuste el perno hexagonal de ajuste más inferior para obtener la mayor profundidad de corte, siguiendo el método de "Ajuste de la profundidad de corte". Ajuste los dos pernos hexagonales de ajuste restantes para obtener profundidades de corte menos profundas. Las diferencias en altura de estos pernos hexagonales son iguales a las diferencias en las profundidades de corte. Para ajustar la altura del perno hexagonal, gire los pernos hexagonales con un destornillador o llave. El bloque de tope también es conveniente para hacer tres pasadas de forma progresiva con configuraciones de broca de más profundidad al cortar ranuras profundas.

Accionamiento del interruptor



► 1. Palanca interruptora

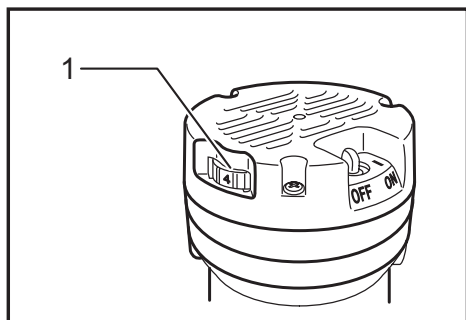
⚠PRECAUCIÓN:

- Antes de conectar la herramienta, compruebe siempre y asegúrese de que esté apagada.
- El interruptor puede ser bloqueado en la posición "ON" (encendido) para mayor comodidad del operario durante una utilización prolongada. Tenga precaución cuando bloquee la herramienta en la posición "ON" (encendido) y sujete la herramienta firmemente.

Para poner en marcha la herramienta, mueva la palanca del interruptor a la posición I (ON-encendido). Para parar la herramienta, mueva la palanca del interruptor a la posición O (OFF-apagado).

Control de ajuste de velocidad

Sólo para modelo RP1101.



► 1. Control de ajuste de velocidad

La velocidad de la herramienta puede ser modificada al poner el control giratorio de velocidad en un valor numérico dado de 1 a 6.

Se consigue una mayor velocidad cuando el control giratorio está hacia la dirección del número 6; una menor velocidad se consigue cuando se gira hacia la dirección del número 1.

Esto permite que la velocidad ideal sea escogida para un procesamiento óptimo del material, por ejemplo, la velocidad puede ajustarse correctamente para corresponder con el material y el diámetro de la fresa. Consulte la tabla para la relación entre las configuraciones numéricas del control giratorio y la velocidad aproximada de la herramienta.

Número	RPM
1	8 000
2	10 000
3	14 000
4	18 000
5	22 000
6	24 000

⚠PRECAUCIÓN:

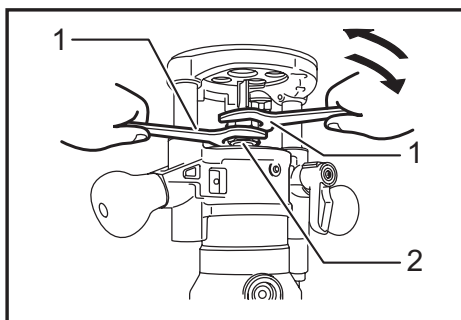
- Si la herramienta es utilizada continuamente a velocidades bajas durante largo tiempo, el motor se sobrecargará resultando en un mal funcionamiento de la herramienta.
- El control de ajuste de velocidad sólo se puede subir hasta 6 y bajar hasta 1. No lo fuerce más allá de estas marcas o de lo contrario la función de ajuste de velocidad podría arruinarse.

ENSAMBLE

⚠PRECAUCIÓN:

- Asegúrese siempre de que la herramienta esté apagada y desconectada antes de realizar cualquier trabajo en la misma.

Instalación o extracción de la punta



► 1. Llave 2. Cono sujetador

PRECAUCIÓN:

- Use siempre un cono adecuado para el diámetro del eje de la broca.
- No apriete el cono sujetador sin insertar una broca por que el cono sujetador se romperá.
- Al usar una broca con un diámetro mayor a 1-1/4", instale la placa base con el orificio central de 2-1/2" de diámetro, reemplazando la placa base original.

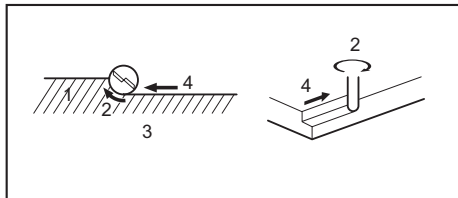
Inserte la broca dentro del cono sujetador hasta el fondo y retire muy levemente (aprox. 2mm [1/16"]). Luego apriete el cono sujetador firmemente con las dos llaves.

Estas rebajadoras pueden aceptar las fresas con ejes de diámetro de 1/2". Al usar la fresa con eje de diámetro de 1/4", remplace el cono sujetador original con el que es para fresas de dicha medida, el cual se incluye con un accesorio estándar.

Para retirar la broca, siga el proceso inverso al de instalación.

OPERACIÓN

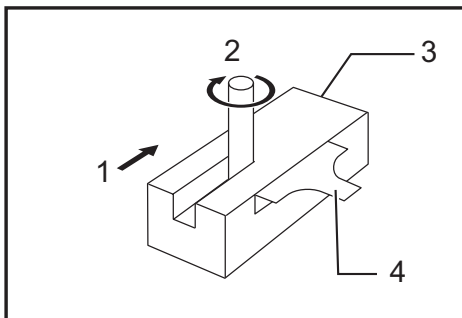
Coloque la base de la herramienta sobre la pieza de trabajo a ser cortada sin que haga contacto con la fresa. Luego encienda la herramienta y espere hasta que la fresa adquiera velocidad completa. Baje el cuerpo de la herramienta al presionar hacia abajo la palanca de bloqueo. Suelte la palanca de bloqueo en la posición más baja y presiónela aún más para fijar el cuerpo de la herramienta con firmeza. Avance la herramienta sobre la superficie de la pieza de trabajo, manteniendo la base de la herramienta al ras y deslizándola suavemente hacia delante hasta finalizar el corte. Cuando haga corte de bordes, la superficie de la pieza de trabajo deberá estar en el costado izquierdo de la fresa en la dirección de avance.



- 1. Pieza de trabajo 2. Dirección de giro de la fresa
3. Vista desde la parte superior de la herramienta
4. Dirección de alimentación

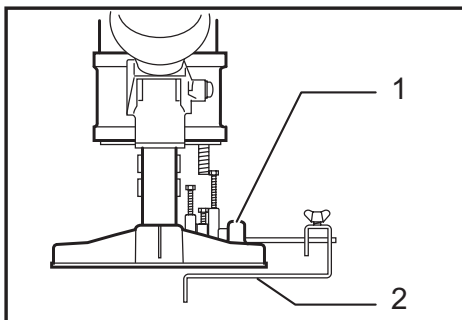
NOTA:

- Asegúrese que la herramienta se eleva automáticamente al momento de aflojar la palanca de bloqueo. La posición de la fresa deberá estar más elevada que la base de la herramienta cuando no se esté usando.
- Si mueve la herramienta hacia delante muy de prisa podrá ocasionar un corte de mala calidad, o dañar la fresa o el motor. Si mueve la herramienta hacia delante muy despacio podrá quemar y arruinar el corte. La velocidad de avance apropiada dependerá del tamaño de la fresa, el tipo de pieza de trabajo y la profundidad de corte. Antes de comenzar el corte en la pieza de trabajo real, se aconseja hacer un corte de prueba en una pieza de madera de desecho. Esto mostrará exactamente cómo será el corte y también le permitirá comprobar las dimensiones.
- Cuando use la guía recta, asegúrese de instalarla sobre el lado correcto en la dirección del alimentador. Esto ayudará a mantenerla a ras con el costado de la pieza de trabajo.



- 1. Dirección de alimentación 2. Dirección de giro de la fresa 3. Pieza de trabajo 4. Guía recta

Guía recta (accesorio opcional)

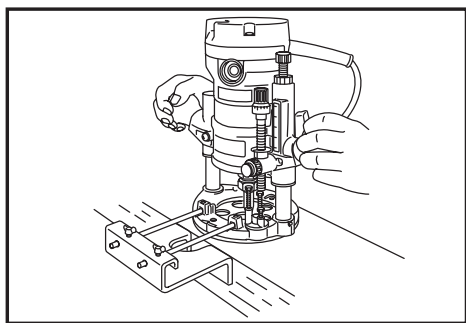


- 1. Pernos hexagonales de ajuste 2. Guía recta

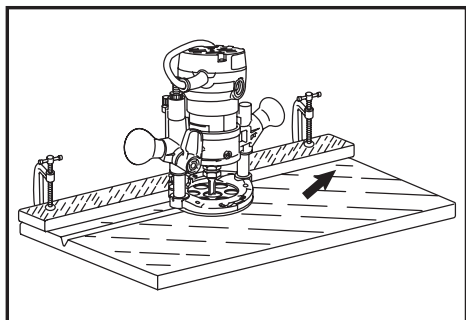
La guía recta resulta útil para realizar cortes rectos cuando se hacen biselos o ranuras.

Para instalar la guía recta, inserte las barras de la guía en los orificios en la base de la herramienta. Ajuste la distancia entre la broca y la guía recta. En la distancia deseada, apriete los pernos hexagonales de ajuste para fijar la guía recta.

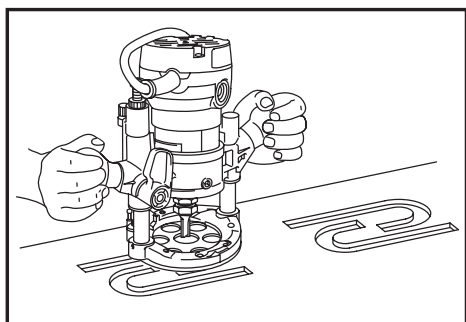
Cuando corte, mueva la herramienta con la guía recta a ras del costado de la pieza de trabajo.



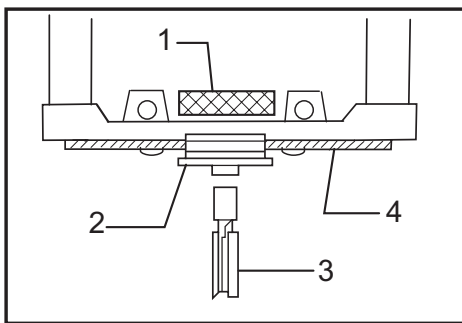
Si la distancia entre el costado de la pieza de trabajo y la posición de corte es muy ancha para la guía de corte recto, o si el costado de la pieza de trabajo no es recto, la guía de corte recto no puede usarse. En este caso, sujete un tablero recto a la pieza de trabajo con la abrazadera y úselo como una guía contra la base de la rebajadora. Alimente la herramienta hacia la dirección de la flecha.



Guía de plantilla (accesorio opcional)

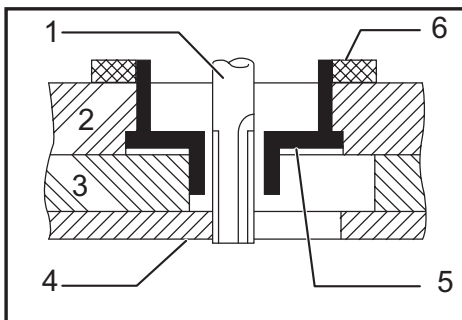


La guía de plantilla proporciona un manguito a través del que pasa la fresa. Para instalar la guía de plantilla, insértela en el orificio central en la placa de la base y fíjela con la tuerca de ajuste.



► 1. Contratuercas 2. Guía de plantilla 3. Broca del router 4. Placa base

Sujete la plantilla en la pieza de trabajo. Ponga la herramienta sobre la plantilla y mueva la herramienta deslizando la guía de plantilla a lo largo del costado de la plantilla.



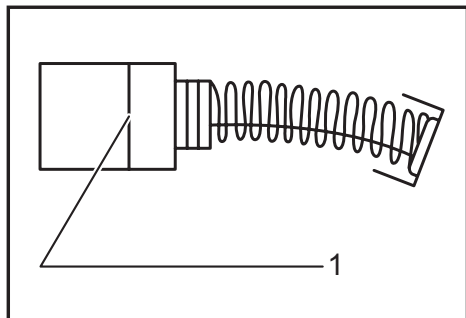
► 1. Broca del router 2. Base 3. Plantilla 4. Pieza de trabajo 5. Guía de plantilla 6. Contratuercas

MANTENIMIENTO

⚠ PRECAUCIÓN:

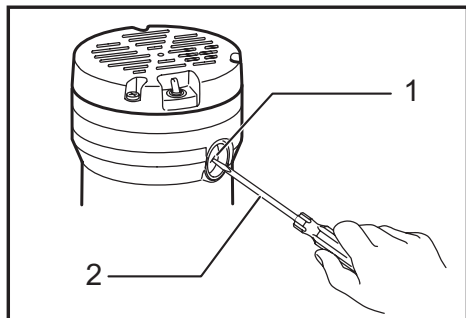
- Asegúrese siempre que la herramienta esté apagada y desconectada antes de intentar realizar una inspección o mantenimiento.
- Nunca use gasolina, bencina, diluyente (tíner), alcohol o sustancias similares. Puede que esto ocasione grietas o descoloramiento.

Reemplazamiento de las escobillas de carbón



► 1. Marca límite

Extraiga e inspeccione de forma periódica las escobillas de carbón. Sustitúyalas cuando se hayan gastado hasta la marca límite. Mantenga las escobillas de carbón limpias de forma que entren libremente en los portaescobillas. Ambas escobillas de carbón deberán ser sustituidas al mismo tiempo. Utilice únicamente escobillas de carbón originales e idénticas. Utilice un destornillador para quitar Tapa del carbón. Extraiga las escobillas gastadas, inserte las nuevas y vuelva a colocar las tapas.



► 1. Tapa del carbón 2. Destornillador

Para mantener la **SEGURIDAD** y **FIABILIDAD** del producto, las reparaciones, y cualquier otra tarea de mantenimiento o ajuste deberán ser realizadas en Centros de Servicio Autorizados por Makita, empleando siempre repuestos Makita.

ACCESORIOS OPCIONALES

⚠PRECAUCIÓN:

- Estos accesorios o aditamentos (incluidos o no) están recomendados para utilizar con su herramienta Makita especificada en este manual. El empleo de cualesquiera otros accesorios o acoplamientos conllevará un riesgo de sufrir heridas personales. Utilice los accesorios o acoplamientos solamente para su fin establecido.

Si necesita cualquier ayuda para más detalles en relación con estos accesorios, pregunte a su centro de servicio Makita local.

- Fresas rectas y de formación de ranuras
- Fresas de formación de bordes
- Fresas de recorte de laminados
- Guía recta
- Guías de plantilla
- Contratuera
- Placa de base despejada (orificio central de 2-1/2")
- Llave 27
- Boquilla de polvo

NOTA:

- Algunos de los artículos en la lista puede que vengan junto con el paquete de la herramienta como accesorios incluidos. Puede que estos accesorios varíen de país a país.

GARANTÍA LIMITADA DE MAKITA

Ésta Garantía no aplica para México

Consulte la hoja de la garantía anexa para ver los términos más vigentes de la garantía aplicable a este producto. En caso de no disponer de esta hoja de garantía anexa, consulte los detalles sobre la garantía descritos en el sitio web de su país respectivo indicado a continuación.

Estados Unidos de América: www.makitatools.com

Canadá: www.makita.ca

Otros países: www.makita.com

< USA only >

WARNING

Some dust created by power sanding, sawing, grinding, drilling, and other construction activities contains chemicals known to the State of California to cause cancer, birth defects or other reproductive harm. Some examples of these chemicals are:

- lead from lead-based paints,
- crystalline silica from bricks and cement and other masonry products, and
- arsenic and chromium from chemically-treated lumber.

Your risk from these exposures varies, depending on how often you do this type of work. To reduce your exposure to these chemicals: work in a well ventilated area, and work with approved safety equipment, such as those dust masks that are specially designed to filter out microscopic particles.

< Sólo en los Estados Unidos >

ADVERTENCIA

Algunos polvos creados por el lijado, aserrado, esmerilado, taladrado y otras actividades de la construcción contienen sustancias químicas reconocidas por el Estado de California como causantes de cáncer, defectos de nacimiento y otros peligros de reproducción. Algunos ejemplos de estos productos químicos son:

- plomo de pinturas a base de plomo,
- sílice cristalino de ladrillos y cemento y otros productos de albañilería, y
- arsénico y cromo de maderas tratadas químicamente.

El riesgo al que se expone varía, dependiendo de la frecuencia con la que realice este tipo de trabajo. Para reducir la exposición a estos productos químicos: trabaje en un área bien ventilada y póngase el equipo de seguridad indicado, tal como las máscaras contra polvo que están especialmente diseñadas para filtrar partículas microscópicas.

Makita Corporation

3-11-8, Sumiyoshi-cho,
Anjo, Aichi 446-8502 Japan

www.makita.com

884380B947
RP1101-1
EN, FRCA, ESMX
20190705